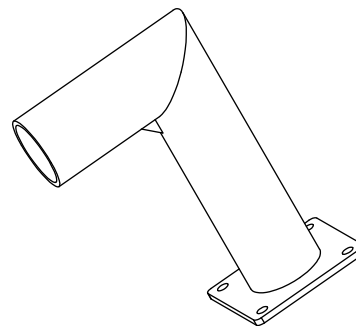
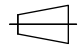



**Mount - 4" Wallmount to
2-3/8"(2.5) single head at 90deg**

Product Dimensions



Unit: mm

	
SCALE : 1:1	
Measure Tolerance is: ± 0.15 mm, ± 0.01 in	